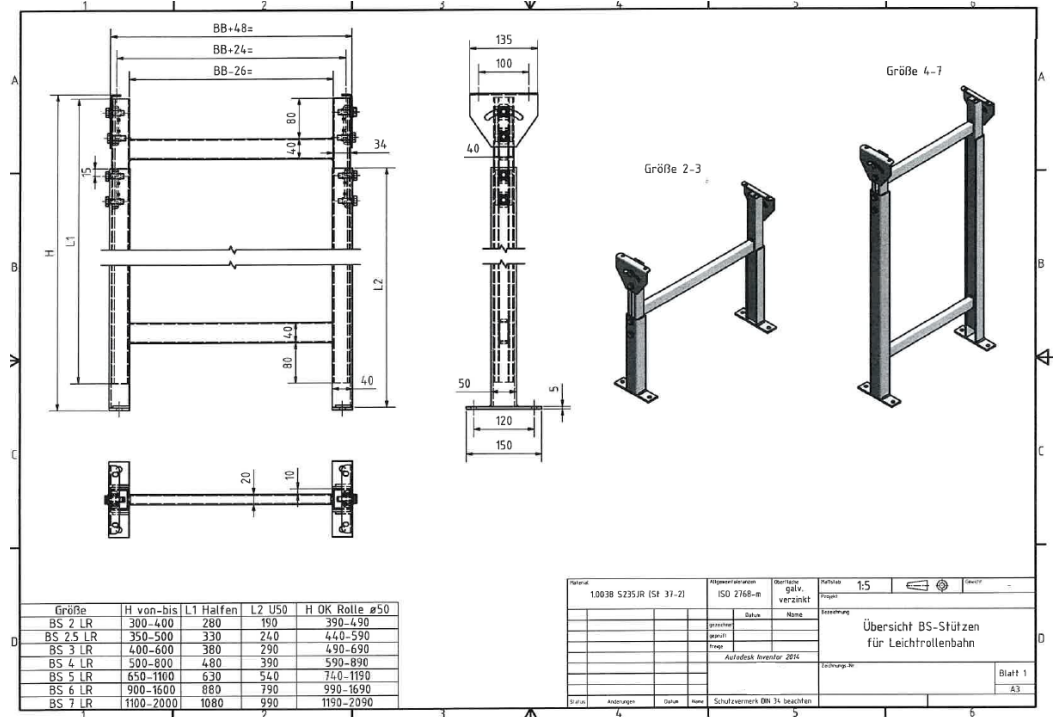


Accessories



Double stands (DST)

The Schulz double stands consist of a U-Profil and an internal Halfen profile. The parts are electrogalvanized or powder-coated in RAL colours.

The weld-on base plates (surface as well as stand) have holes for fixing to the ground.

A winding axis which can be adjusted through 45° serves as a connection to the respective rolling track or conveyance track model.

Continuous height adjustment of the Schulz double stands (DST) is possible using a double clamping nut.

The Schulz double stands can be supplied in standard and bespoke dimensions (every track size up to 2000 mm can be supplied) – speak to us.

You can find the drawings for the standard dimensions under „Downloads“.

Connector

Schulz connectors serve to connect U-Profiles, for example, from several rolling tracks.

The Schulz connectors are electrogalvanized and are supplied with screws and nuts.

The connectors can be supplied in standard and bespoke dimensions – speak to us.

